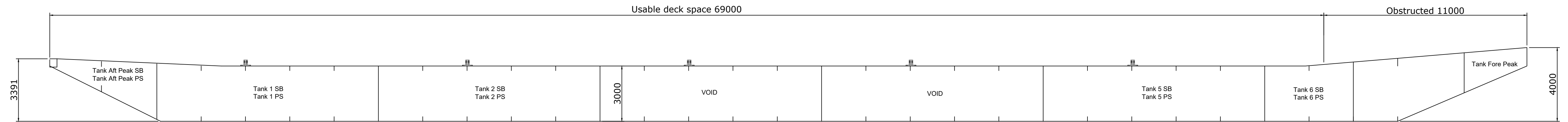
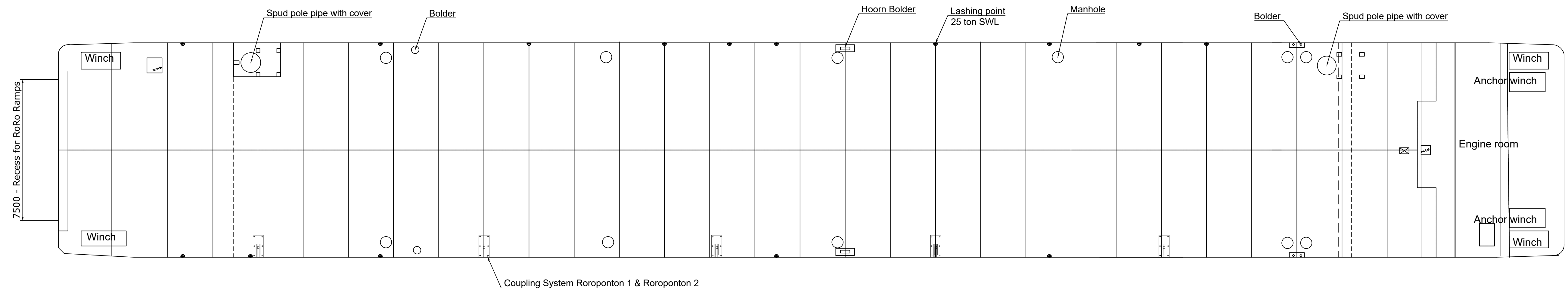


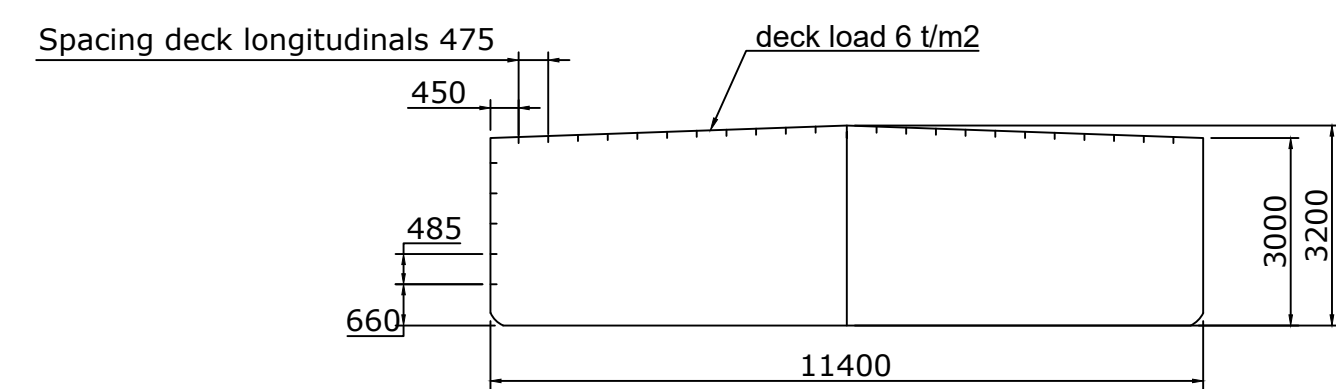
View On Shell (SB)



Top View




Typical Webframe



PRINCIPAL DIMENSIONS

LENGTH o.a.	79.96	mtr
BREADTH o.a.	11.38	mtr
BREADTH mid	11.00	mtr
DEPTH	3	mtr
DRAUGHT	1.95	mtr

Rev	Name	Date	Remarks	Rev	Name	Date	Remarks
0	KCOP	13/02/18	First issue				
Description: ROROPONTON 1 - ENI 04606930							
				Scale:			
				Project Engineer			
				Project Draughtsman KCOP			
				Date: 13/02/19			
Plan Nr. -				Revision Nr.			
				0			

Exclusive property of Victrol Chartering bde. Handing over to a third party and/or copying even parts in whatever way is prohibited without written approval by Victrol Chartering bde.