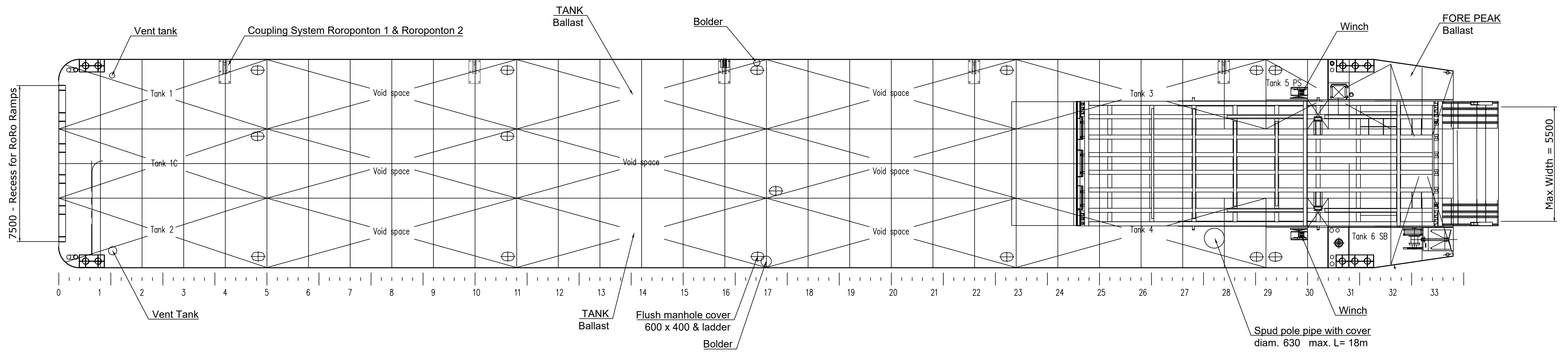
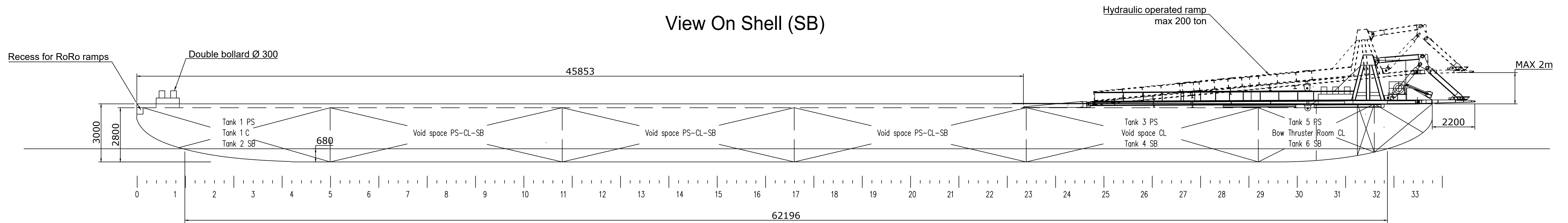


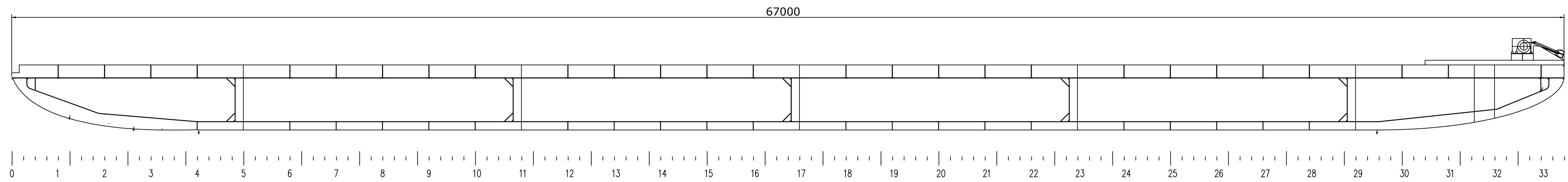
### Top View



### View On Shell (SB)



### View On CL Girder



### Typical Webframe

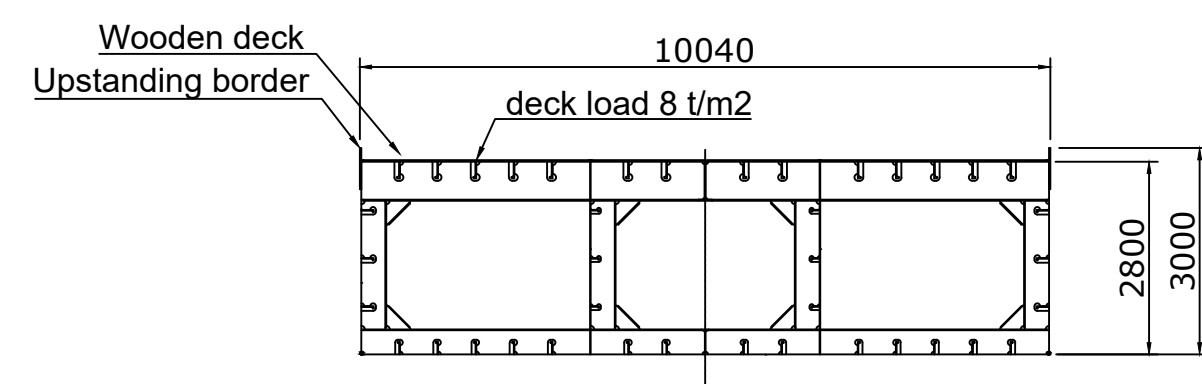



Plate thickness:  
 Deckplating 12 mm.  
 Side plating 9 mm.  
 Bottom plating 9 mm.  
 (unless otherwise specified.)  
 Side plating 9 mm

### PRINCIPAL DIMENSIONS

LENGTH o.a.	67.00	mtr
BREADTH o.a.	10.04	mtr
BREADTH mid	10.00	mtr
DEPTH	3	mtr
DRAUGHT	2.03	mtr

Rev	Name	Date	Remarks	Rev	Name	Date	Remarks
0	KCOP	13/02/18	First issue				
Description: ROROPONTON 2 - ENI 06004167							
							Scale: Project Engineer Project Draughtsman KCOP Date: 13/02/19 Plan Nr. - Revision Nr. 0